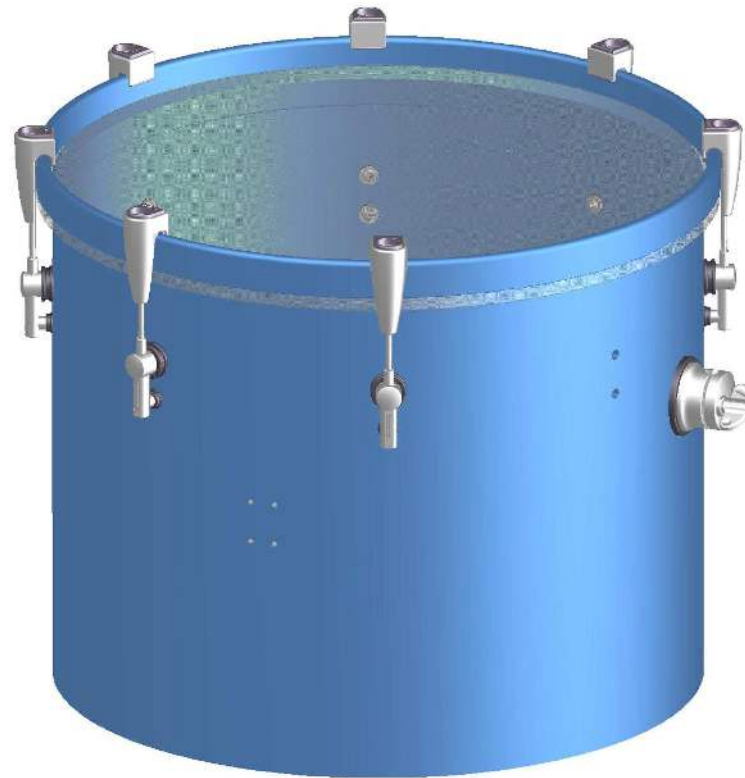
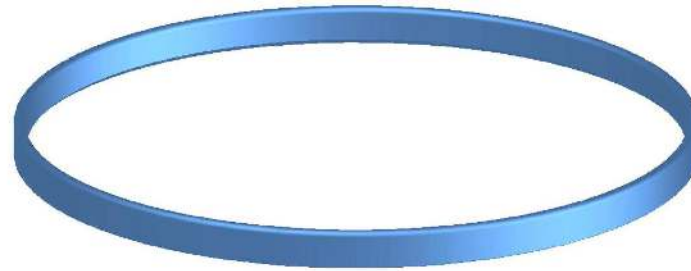
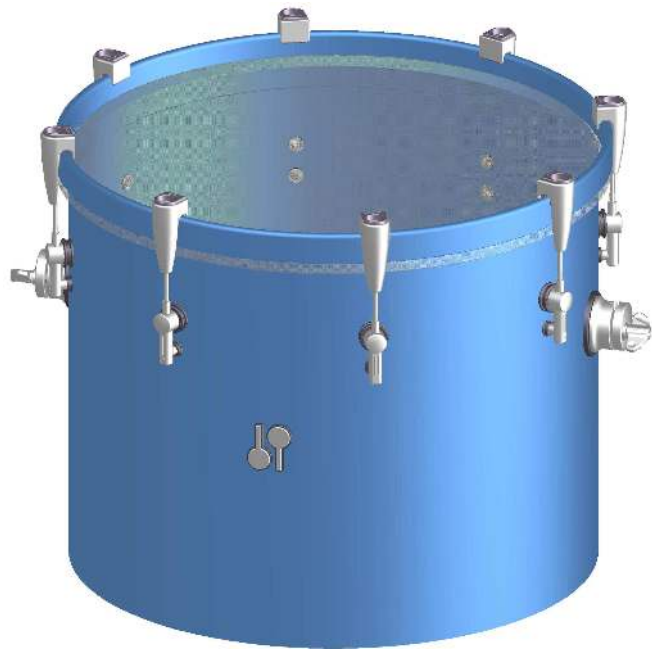
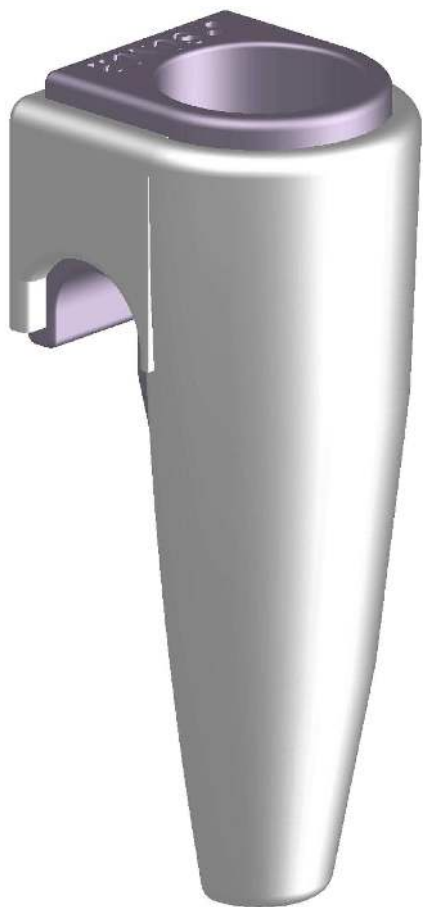


SONOR®

SQ² Gong Toms



SONOR®

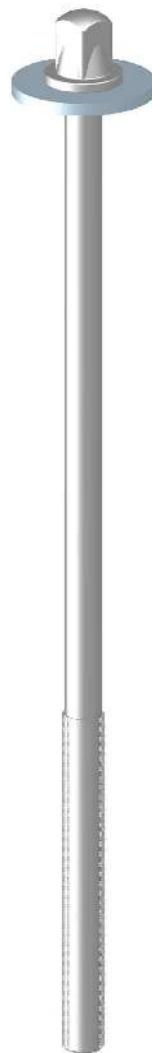


Claw Hooks

190 029 01 chrome

190 029 05 gold

190 029 07 aranja



Square Head screw 130mm

190 351 01 chrome

190 351 05 gold

190 351 07 aranja

3 pcs / pack



Slotted screw 130mm

190 352 01 chrome

190 352 05 gold

190 352 07 aranja

3 pcs / pack



Lug complete

190 341 01 chrome

190 341 05 gold

190 341 07 aranja



190 342 01
each 2 pcs / pack

190 269 01
Torx – screw
ø5x13
20 pcs / pack

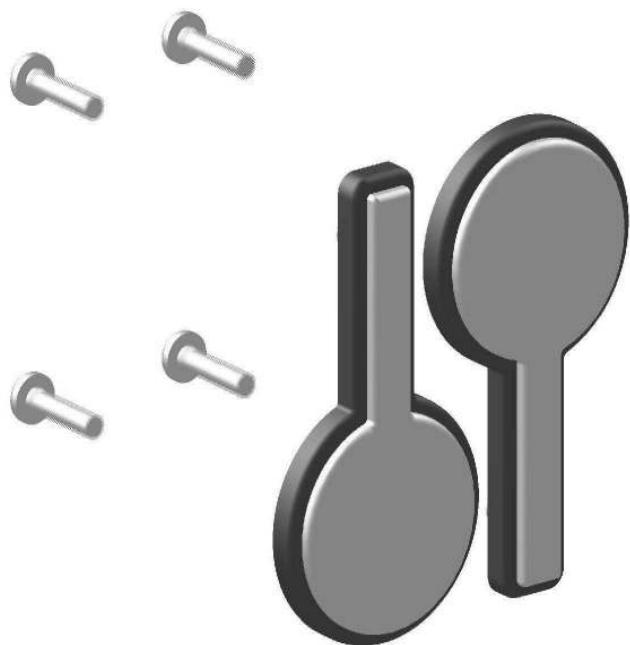


for Vintage shell
for Thin shell
for Medium shell
for Acrylic shell

190 270 01
Torx – screw
ø5x16
20 pcs / pack



for Heavy shell



Badge / Logo, chrome No. 190 344 01

(incl. 4 pcs screw M3x7 and 4 pcs screw M3x10)

Badge / Logo, gold No. 190 344 05

(incl. 4 pcs screw M3x7 and 4 pcs screw M3x10)

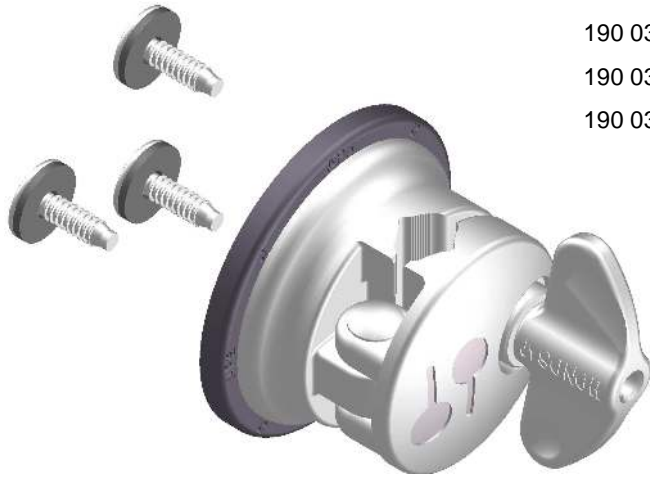
Badge / Logo, aranja No. 190 344 07

(incl. 4 pcs screw M3x7 and 4 pcs screw M3x10)



Prism Clamp complete

- 190 036 01 chrome
- 190 036 05 gold
- 190 036 07 aranja



- 190 266 01 chrome
- 190 266 05 gold
- 190 266 07 aranja

190 269 01
Torx – screw
ø5x13
20 pcs / pack



for Vintage shell
for Thin shell
for Medium shell
for Acrylic shell

190 270 01
Torx – screw
ø5x16
20 pcs / pack



for Heavy shell



Gong Tom Hoop

„Only on inquiry“

**Please ask your
local dealer.**

To find your Gong Tom Hoop configuration
please go to:

www.sq2-drumsystem.com

- Select „Index of contents“
- Choose „find Unique Print ID (UPID)“
- Enter your valid UPID number or
SQ² serial number

